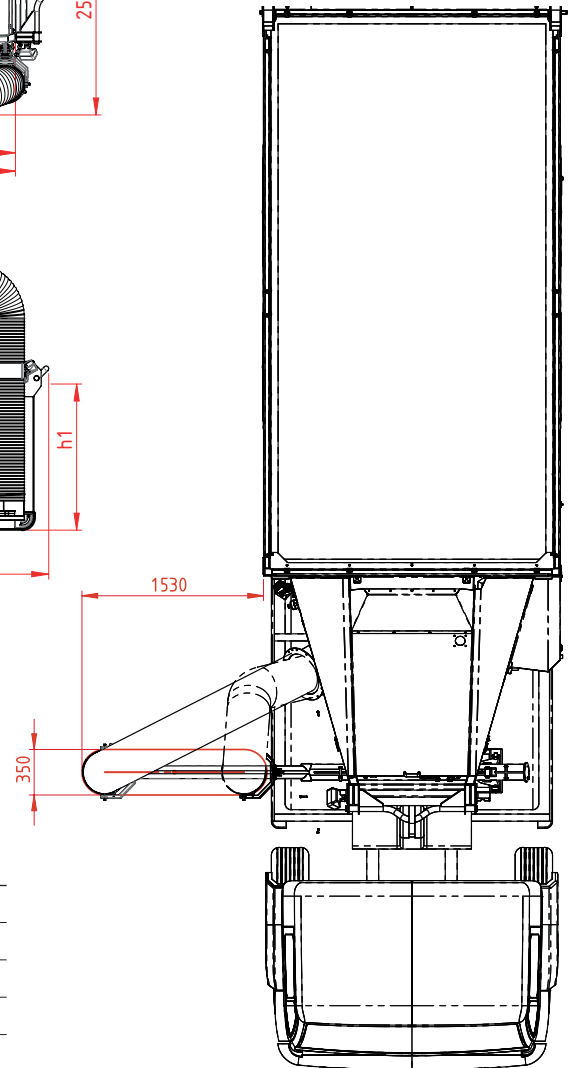
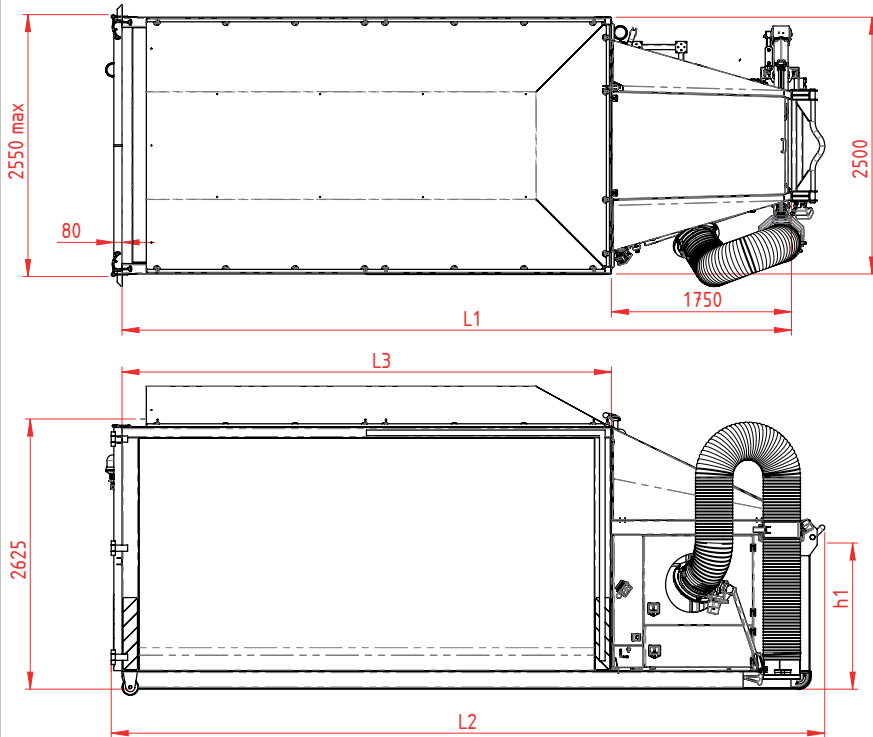


PROPRIETARY AND CONFIDENTIAL  
Any reproduction in part or as a whole without  
the written permission on VANMAC BV is prohibited.



| Nr | Content [m <sup>3</sup> ] | L1*  | L2   | L3   |
|----|---------------------------|------|------|------|
| 1  | 17                        | 5000 | 5443 | 3256 |
| 2  | 20                        | 5500 | 5943 | 3756 |
| 3  | 22                        | 6000 | 6443 | 4256 |
| 4  | 25                        | 6500 | 6943 | 4756 |
| 5  | 28                        | 7000 | 7443 | 5256 |

\* DIN dimensions (DIN 30722)

**Mobile collection of large quantities of fallen leaves and waste**

**Drive:** 4-Cylinder Hatz diesel engine (Stage 5)

**Available load volumes:** 17, 20, 22, 25, 28 m<sup>3</sup>

**Suction hose:** Ø 350 mm, length 4 m

**Operation:** Radio-controlled

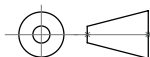
**Securing to the vehicle:** hook lift and cable lift systems

**TRILO Smart Industrie**  
Astronaut 40  
3824 MJ AMERSFOORT  
The Netherlands

Tolerances unless stated:  
ISO 2768-mK  
Precision Casting:  
ISO 8062-3 DCTG-8  
Sheet-Metal Bending:  
ISO 2768-cL

**DO NOT SCALE DRAWING**

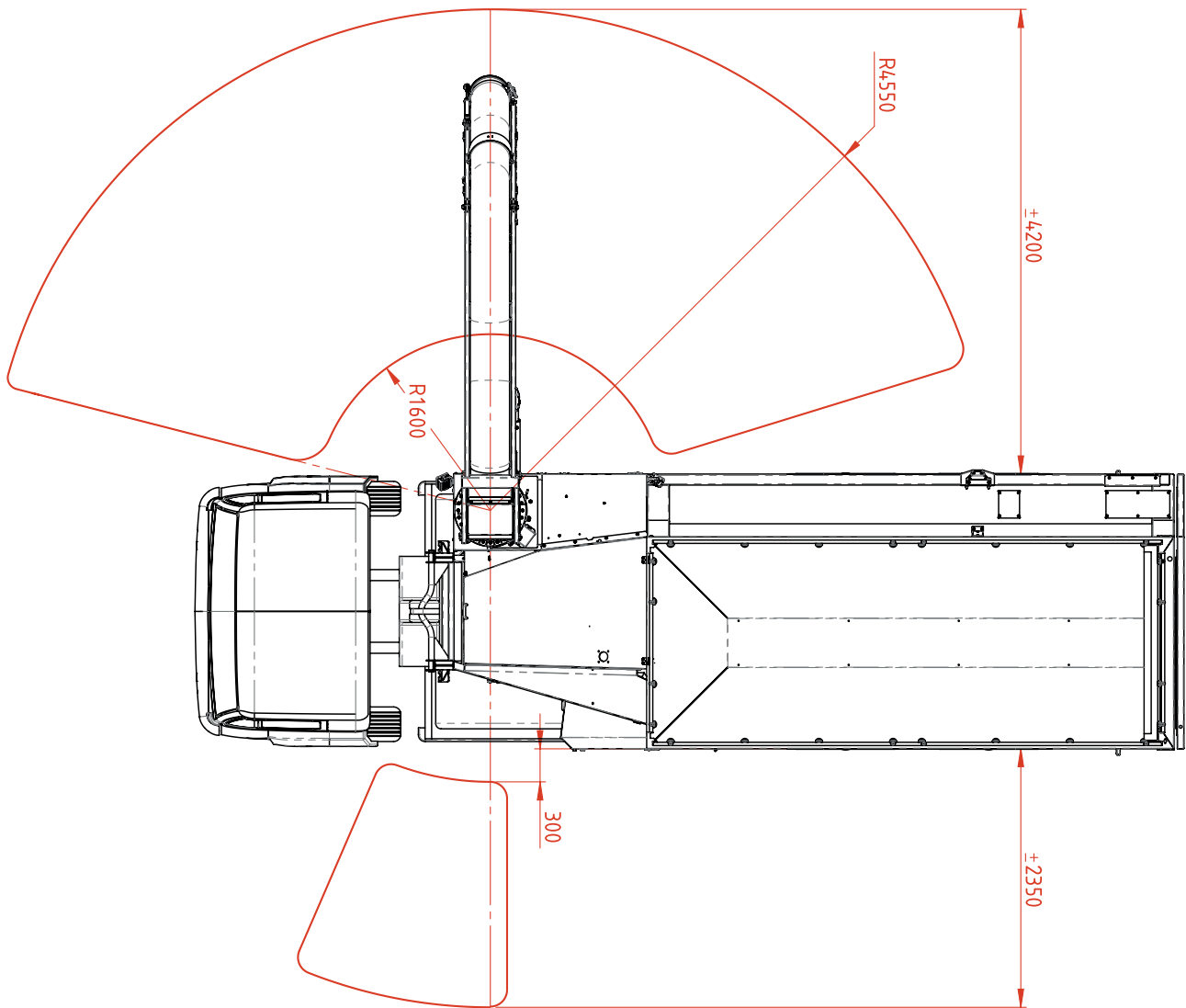
**TS Vacuum Containers**



Remove welding spatter  
Sheet metal unscratched  
Debur / Break sharp edges

20 - 20 - 2019

PROPRIETARY AND CONFIDENTIAL  
Any reproduction in part or as a whole without  
the written permission on VANMAC BV is prohibited.



| Nr | Content [m <sup>3</sup> ] | L1*  | L2   | L3   |
|----|---------------------------|------|------|------|
| 4  | 23                        | 6500 | 6943 | 4756 |
| 5  | 26                        | 7000 | 7443 | 5256 |

\* DIN dimensions (DIN 30722)

**Mobile collection of large quantities of fallen leaves and waste**

**Drive:** 4-Cylinder Hatz diesel engine (Stage 5)

**Available load volumes:** 23 and 26 m<sup>3</sup>

**Suction hose working range:** 4200 mm (right side) - 2350 mm (left side)

**Operation:** Radio-controlled

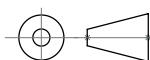
**Securing to the vehicle:** hook lift and cable lift systems

**TRILO Smart Industrie**  
Astronaut 40  
3824 MJ AMERSFOORT  
The Netherlands

Tolerances unless stated:  
ISO 2768-mK  
Precision Casting:  
ISO 8062-3 DCTG-8  
Sheet-Metal Bending:  
ISO 2768-cL

**DO NOT SCALE DRAWING**

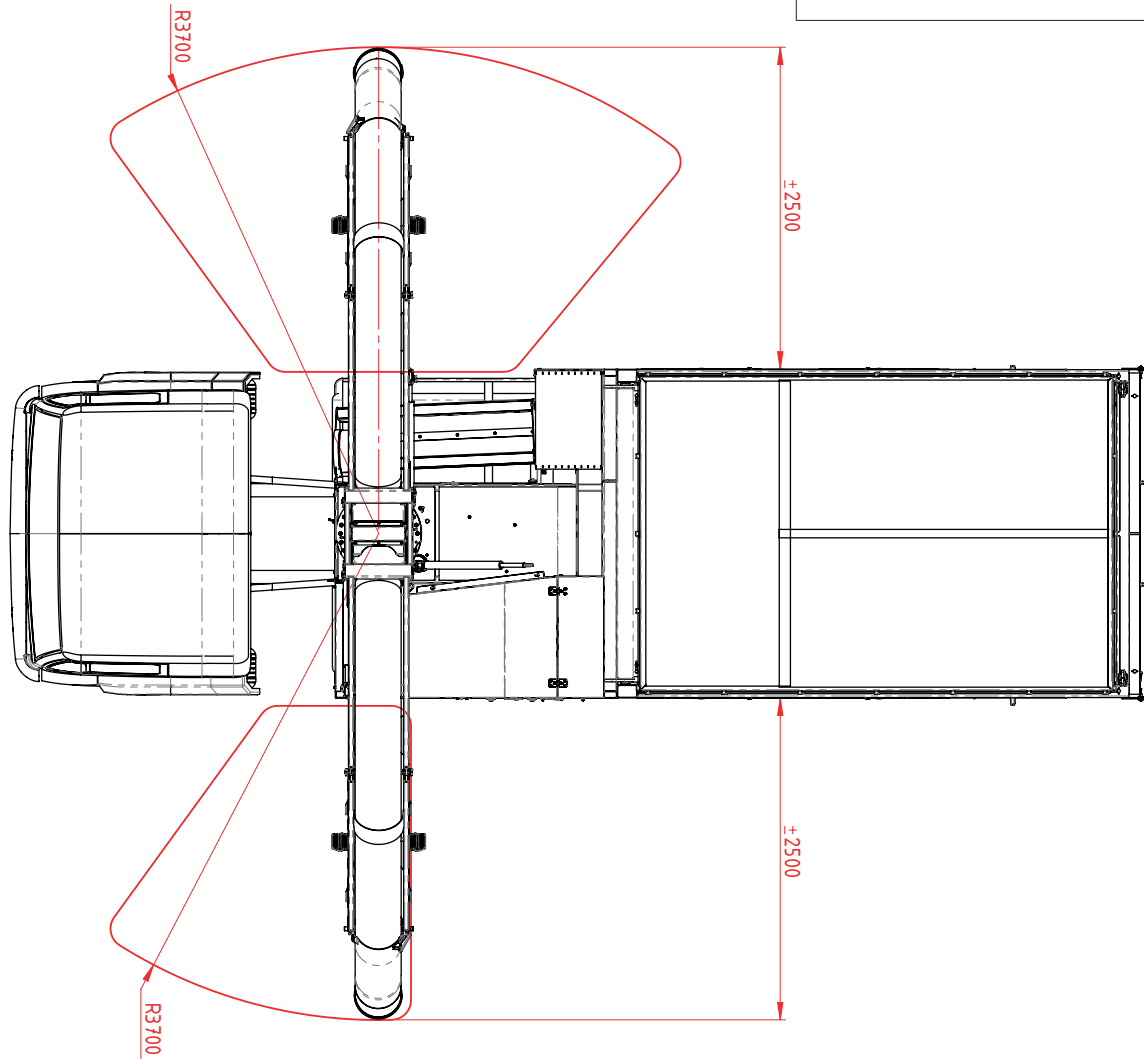
**TL** Vacuum Containers



Remove welding spatter  
Sheet metal unscratched  
Debur / Break sharp edges

20 - 03 - 2019

PROPRIETARY AND CONFIDENTIAL  
Any reproduction in part or as a whole without  
the written permission on VANMAC BV is prohibited.



**Required hydraulic Power for impeller:**

**Pressure:** 250 bar

**Flow:** 120 L/min

**Secondary hydraulics:**

**Pressure:** 200 bar

**Flow:** 25 L/min

**70Kw Hydraulic power required (Hydraulic cooling)**

**Mobile collection of large quantities of fallen leaves and waste**

**Drive:** Vehicle hydraulics

**Available load volumes:** 15 and 19 m<sup>3</sup>.

**Suction hose working range:** 2500 mm

**Operation:** Radio-controlled

**Securing to the vehicle:** Twistlocks

**TRILO Smart Industrie**  
Astronaut 40  
3824 MJ AMERSFOORT  
The Netherlands

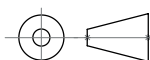
Tolerances unless stated:  
ISO 2768-mK  
Precision Casting:  
ISO 8062-3 DCTG-8  
Sheet-Metal Bending:  
ISO 2768-cL

**DO NOT SCALE DRAWING**

**TH** Vacuum Containers

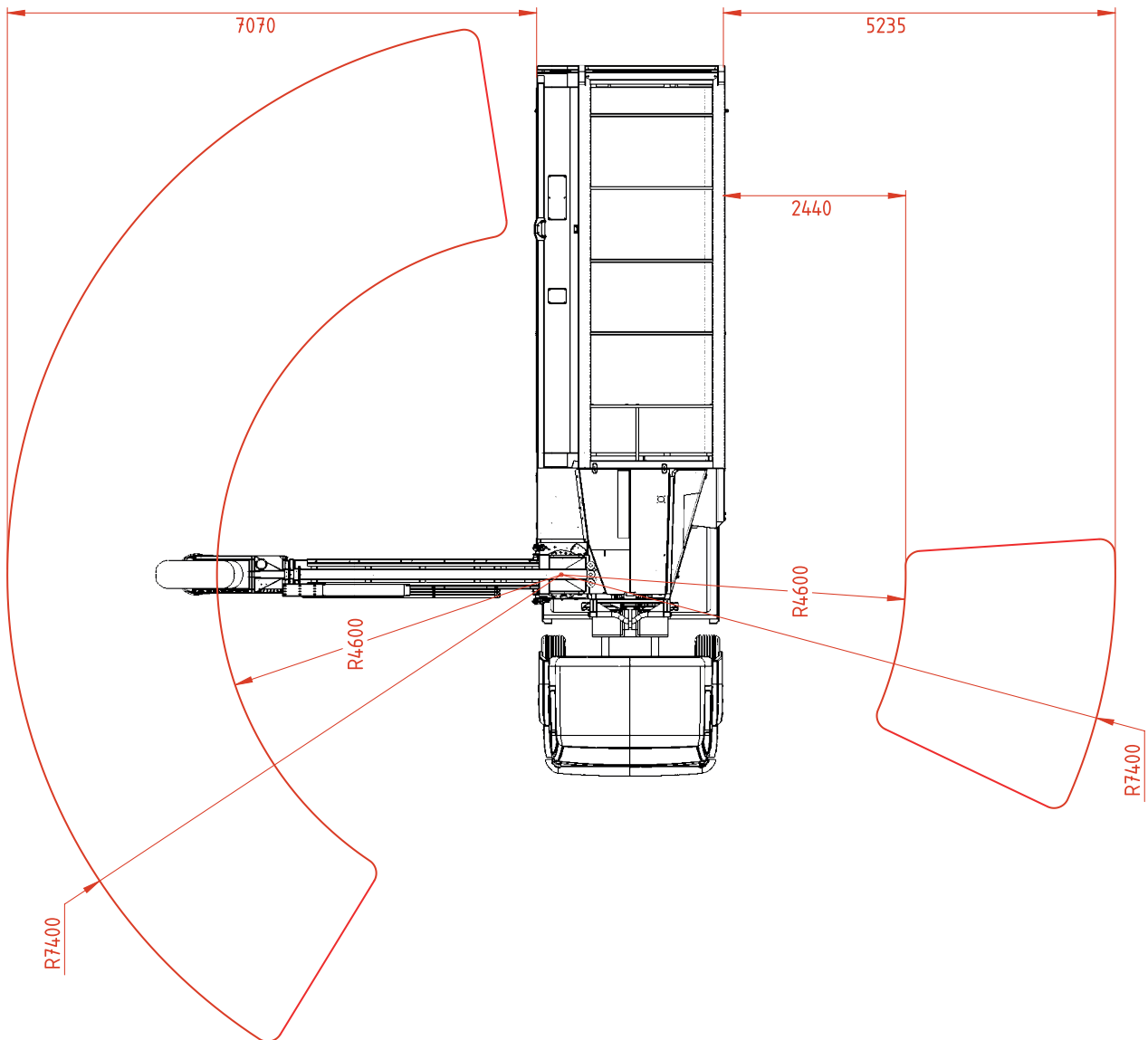


Remove welding spatter  
Sheet metal unscratched  
Debur / Break sharp edges



**11 - 11 - 2019**

PROPRIETARY AND CONFIDENTIAL  
Any reproduction in part or as a whole without  
the written permission on VANMAC BV is prohibited.



| Nr | Content [m <sup>3</sup> ] | L1*  | L2   | L3   |
|----|---------------------------|------|------|------|
| 3  | 21                        | 6000 | 6443 | 4256 |
| 4  | 23                        | 6500 | 6943 | 4756 |
| 5  | 26                        | 7000 | 7443 | 5256 |

\* DIN dimensions (DIN 30722)

**Suitable for emptying containers below street level**

**Drive:** 4-Cylinder Hatz diesel engine (Stage 5)

**Available load volumes:** 21, 23 and 26 m<sup>3</sup>

**Suction hose working range:** 7400 mm (right side) - 5235 mm (left side)

**Operation:** Radio-controlled

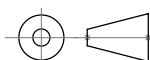
**Securing to the vehicle:** hook lift and cable lift systems

**TRILO Smart Industrie**  
Astronaut 40  
3824 MJ AMERSFOORT  
The Netherlands

Tolerances unless stated:  
ISO 2768-mK  
Precision Casting:  
ISO 8062-3 DCTG-8  
Sheet-Metal Bending:  
ISO 2768-cL

**DO NOT SCALE DRAWING**

**TL** Vacuum Containers



Remove welding spatter  
Sheet metal unscratched  
Debur / Break sharp edges

20 - 03 - 2019